

# Economical

CHAINFALLS & LEVER HOISTS



JET  
JET



TOLL FREE  
**1-866-849-1032**



*The On-Demand Source  
for Lifting, Pulling  
and Tie-Down Products  
and Technical Services  
for Supply Houses.<sup>SM</sup>*

MURPHY INDUSTRIAL PRODUCTS, INC.  
600 N. SHEPHERD #303  
HOUSTON, TEXAS 77007  
TOLL FREE: 866-849-1032  
PHONE: 713-868-1032  
FAX: 713-868-5336

*The On-Demand Source For Lifting, Pulling, and Tie-Down Products  
& Technical Services For Supply Houses.<sup>SM</sup>*



Stock No. 101704

### JET SMH Series

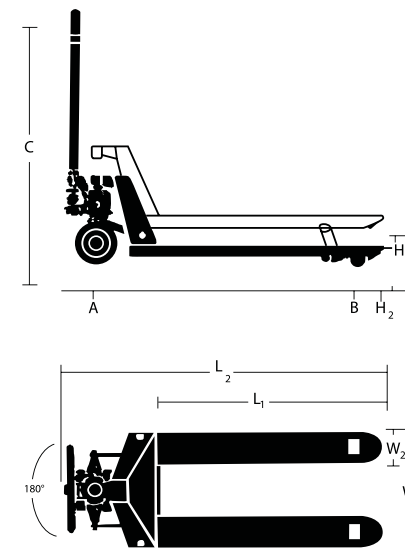
- Full range capacity 1/2 to 10-tons
- Standard features found only in higher priced models
- Economical hand chain hoist designed for years of trouble-free service
- All steel construction with a durable powder coat finish
- Lightweight, compact design for low headroom applications
- Needle bearing supported load sheave for smooth operation
- Completely enclosed Weston type automatic brake system for precise load spotting
- Triple-spur gears provide high efficiency ratio with minimum effort
- Induction hardened grade 80 load chain
- Drop forged hooks with heavy-duty safety latches swivel 360° for easy rigging
- Smooth rolled edge on hand chain cover prevents side pull jamming
- Standard hand chain drop equals lift length
- Proof tested with test certificate
- Complies with OSHA, ANSI/ASME B30.16 and HST-2 standards

### CAUTION

Be sure that the supporting structures and load-attaching devices used in conjunction with this hoist provide an adequate safety factor to handle the rated load plus the weight of the equipment. If in doubt, consult a qualified structural engineer. **This equipment is not to be used for lifting, supporting or transporting people, or lifting or supporting loads over people.**

Stock No.	Model	Capacity (Lbs.)	Standard Lift (Ft.)	Headroom (In.)	Number of Falls	Load Chain (Dia./MM)	Req. Hand Chain (Ft.) to Lift Load 1'	Pounds Pull to Lift Capacity	Ship Weight (Lbs.)
101700	SMH-1/2T-10	1100	10	13	1	5.0	32	49	20
101702	SMH-1/2T-20		20						29
101704	SMH-1T-10	2200	10	15	1	6.3	37	80	27
101706	SMH-1T-20		20						38
101708	SMH-1-1/2T-10	3520	10	17-1/2	1	7.0	58	82	41
101710	SMH-1-1/2T-20		20						56
101712	SMH-2T-10	4400	10	18-1/2	1	8.0	70	91	46
101714	SMH-2T-20		20						60
101716	SMH-3T-10	6820	10	23-1/2	2	7.0	116	86	60
101718	SMH-3T-20		20						80
101720	SMH-5T-10	11000	10	28	2	9.0	172	97	91
101722	SMH-5T-20		20						122
101724	SMH-10T-10	22000	10	35	4	9.0	344	104	177
101726	SMH-10T-20		20						232

- One-piece cast pump features high quality seals, hardened and chrome plated ram and piston, top-of stroke and overload bypass valves
- Rounded fork tips with nylon guide rollers for trouble-free pallet entry and exit
- Solid steel push rod never needs adjustment
- 210° turning radius
- Large 8" poly over aluminum steering wheels feature double sealed, life time lubricated bearings (*JTX Model*)
- 2-1/2" turning radius (*PTX Model*)



### Dimensions (In.)

	140093	140800
Model	PTX-2748	JTX-2748
Capacity	5500 lbs.	8000 lbs.
W1	27	27
W2	6	6-1/4
L1	48	48
L2	63	63-1/4
H1	6-1/4	6-1/4
H2	2-1/2	3-1/4
A	7 x 2	8 x 2
B	2-1/2 x 3-3/4	3-1/4 x 3-1/2
C	47-1/4	49-1/4
Ship Weight (Lbs.)	196	240

\* Other fork sizes available upon request.

**SAME DAY SHIPPING ON MOST ITEMS 1-866-849-1032**

**1-866-849-1032**  
**SAME DAY SHIPPING ON MOST ITEMS**

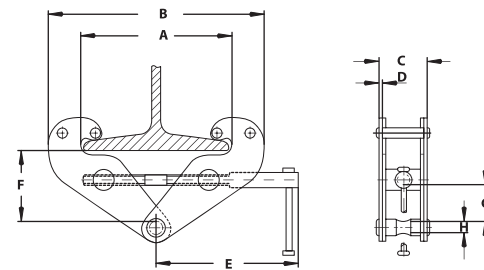
- For construction, commercial and industrial vertical or horizontal rigging operations
- 1-ton to 5-ton capacities
- Mount hoists or lift beams with portable lightweight clamp
- Adjusts with ease to fit a broad range of wide-flange H or standard I-beams
- Clamp jaw designed to distribute the load away from beam flange edge
- Low headroom with built-in suspension rod
- Proof tested with test certificate
- Compliance: ANSI/ASME B30.17 and B30.20 standards

**CAUTION**

Read owners manual for additional warnings and precautions before use. Failure to read, understand and follow all instructions can result in serious injury. Do not exceed rated capacity. Use clamp only if authorized and properly trained. Do not move unbalanced load. Not for use in explosive environment.



Stock No. 252720



Stock No.	Model	Capacity (Lbs.)	Beam Flange Width (In.)	Ship Weight (Lbs.)
252710	JBC-1	2000	2-31/32-8-21/32	12 lbs.
252720	JBC-2	4000	2-31/32-8-21/32	14 lbs.
252730	JBC-3	6000	3-15/16-9-2/32	27 lbs.
252750	JBC-5	10000	4-15/16-10-5/8	34 lbs.

**Dimensions (In.)**

Model	Dim. (In.) Max A	Min B	Max. B	C	D	E	Max. F	Min. F	Min. G	H
JBC-1	9-21/32	7-3/32	14-11/64	2-3/4	13/64	9-9/32	5-5/16	3-35/64	1-3/16	13/16
JBC-2	9-21/32	7-3/32	14-11/64	2-29/32	1/4	9-9/32	5-5/16	3-35/64	1-3/16	13/16
JBC-3	11-5/8	9-27/32	17-11/32	4-21/32	5/16	10-1/4	6-11/16	4-11/32	2-11/64	1
JBC-5	11-7/32	10-7/16	19-3/32	5-1/2	25/64	10-1/4	6-15/16	4-15/16	2-3/64	1-7/64

1-866-849-1032

**SAME DAY SHIPPING ON MOST ITEMS**

**JET JLP Series**

- Economical lever hoist designed for years of trouble-free operation
- 3/4-ton to 6-ton capacities
- 5', 10', and 20' lifts available
- All steel construction with a durable powder coat finish
- Completely enclosed Weston type automatic brake system holds load in any position
- Easy-to-use with single hand operation and control
- Simple design makes routine inspection and maintenance easy
- Freewheeling feature without load for quick load attachment
- Hardened grade 80 low wear chain
- Drop forged hooks with heavy-duty safety latches swivel 360° for easy rigging
- Proof tested with test certificate
- Complies with OSHA, ANSI/ASME B30.21 and HST-3 standards

**CAUTION**

Be sure that the supporting structures and load-attaching devices used in conjunction with this hoist provide an adequate safety factor to handle the rated load plus the weight of the equipment. If in doubt, consult a qualified structural engineer. **This equipment is not to be used for lifting, supporting or transporting people, or lifting or supporting loads over people.**



Stock No. 187711

Stock No.	Model	Rated Capacity (Ton)	Standard Lift (Ft.)	Min. Distance Between Hooks (In.)	No. of Falls	Load Chain (Dia./MM)	Lever Length (In.)	Pounds Pull to Lift Capacity	Lift Per Full Turn of Lever (In.)	Ship Weight (Lbs.)
187707	JLP-75-5		5							17
187708	JLP-75-10	3/4	10	12-7/16	1	6	10-1/4	32	3/4	20
187710	JLP-75-20		20							25
187711	JLP-150-5		5							28
187712	JLP-150-10	1-1/2	10	14	1	8	16-1/8	42	7/8	33
187714	JLP-150-20		20							43
187715	JLP-300-5		5							46
187716	JLP-300-10	3	10	19-3/4	1	10	16-1/8	72	5/8	54
187718	JLP-300-20		20							69
187719	JLP-600-5		5							68
187720	JLP-600-20	6	20	24-7/16	2	10	16-1/8	76	5/8	113

1-866-849-1032

**SAME DAY SHIPPING ON MOST ITEMS**



# Hand Chain Hoists w/ Overload Protection



Stock No. 107100

## JET L-100 Series

- Full range capacity 1/2 to 10-tons
- Compact and portable for ease of positioning material
- Engineered for commercial and industrial lifting applications
- All steel construction with a durable powder coat finish
- Lightweight, compact design for low headroom applications
- Completely enclosed Weston type automatic brake system for positive load spotting
- Triple-spur gears provide high efficiency ratio with minimum effort
- Heat treated and hardened grade 80 load chain
- Smooth rolled edge on hand chain cover prevents side pull jamming
- Wide throat drop forged safety hooks for easier rigging
- Standard hand chain drop equals lift length
- Proof tested with test certificate
- Complies with OSHA, ANSI/ASME B30.16 and HST-2 standards

### CAUTION

Be sure that the supporting structures and load-attaching devices used in conjunction with this hoist provide an adequate safety factor to handle the rated load plus the weight of the equipment. If in doubt, consult a qualified structural engineer. This equipment is not to be used for lifting, supporting or transporting people, or lifting or supporting loads over people.



Stock No.	Model	Capacity (Lbs.)	Standard Lift (Ft.)	Headroom (In.)	Number of Falls	Load Chain (Dia./MM)	Req. Hand Chain (Ft.) to Lift Load 1'	Pounds Pull to Lift Capacity	Ship Weight (Lbs.)
104100	L-100-50WO-10	1100	10	11-1/4	1	5.0	25	53	24.00
205120	L-100-50WO-20		20						34.00
102100	L-100-1TWO-10	2200	10	11-5/8	1	6.3	43	64	27.00
203120	L-100-1TWO-20		20						39.25
101100	L-100-150WO-10	3300	10	13-3/4	1	7.1	57	77	34.25
201120	L-100-150WO-20		20						48.00
105100	L-100-200WO-10	4400	10	14-3/4	1	8.0	70	79	44.00
206120	L-100-200WO-20		20						59.00
106100	L-100-300WO-10	6600	10	20-1/8	2	7.1	114	79	53.00
207120	L-100-300WO-20		20						74.00
107100	L-100-500WO-10	11000	10	23-5/8	2	9.0	198	75	90.00
208120	L-100-500WO-20		20						119.50
108100	L-100-1000WO-10	22000	10	29-7/8	4	9.0	396	79	174.00
209120	L-100-1000WO-20		20						227.00

1-866-849-1032

**SAME DAY SHIPPING ON MOST ITEMS**

MURPHYINDUSTRIALPRODUCTS.COM

TEL 713.868.1032 FAX 713.868.5336



# Lever Hoists w/ Overload Protection



Stock No. 210010

## JET JLH Series

- 3/4-ton to 6-ton Capacities
- Available in 5ft, 10ft, and 20ft lifts
- Light weight, compact design for low head room applications
- All units feature premium 100 grade chain for extreme wear resistance
- Patented fused break disc design for low maintenance
- Caged roller bearings used on load sprocket increase ease of use and efficiency
- Lever Hoist with Overload Protection

### CAUTION

Be sure that the supporting structures and load-attaching devices used in conjunction with this hoist provide an adequate safety factor to handle the rated load plus the weight of the equipment. If in doubt, consult a qualified structural engineer. This equipment is not to be used for lifting, supporting or transporting people, or lifting or supporting loads over people.



Stock No.	Model No.	Capacity (Tons)	Capacity (Lbs.)	Standard Lift (Ft.)	Headroom (In.)	Number of Falls	Load Chain (dia/mm)	Lever Length (In.)	Pounds of Pull To Lift Capacity	Lift Per Full Turn of Lever (In.)	Weight (Lbs.)
375005	JLH-80WO-5	0.8	1760	5	11	1	5.6	9-5/8	64	1-1/8	12.50
375010	JLH-80WO-10			10							15.00
375020	JLH-80WO-20			20							19.50
315005	JLH-160WO-5	1.6	3520	5	13.1	1	7.1	10-3/8	75	7/8	17.50
315010	JLH-160WO-10			10							21.25
315020	JLH-160WO-20			20							28.50
330050	JLH-320WO-5	3.2	7040	5	15.5	1	10	16-5/16	82	3/4	30.00
330100	JLH-320WO-10			10							38.00
330200	JLH-320WO-20			20							53.00
360005	JLH-630WO-5	6.3	13860	5	21.2	1	10	16-5/16	84	3/8	57.25
360010	JLH-630WO-10			10							72.00
360020	JLH-630WO-20			20							103.00

1-866-849-1032

**SAME DAY SHIPPING ON MOST ITEMS**

MURPHYINDUSTRIALPRODUCTS.COM

TEL 713.868.1032 FAX 713.868.5336